

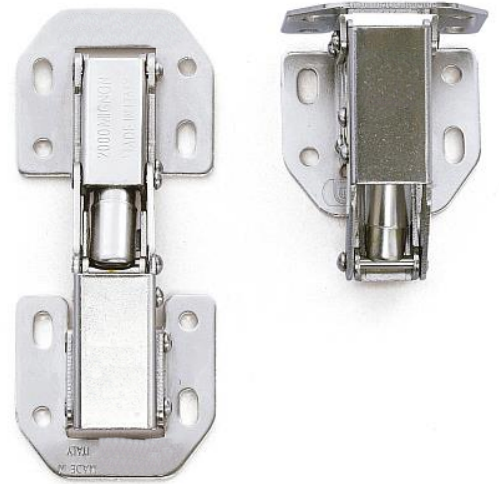
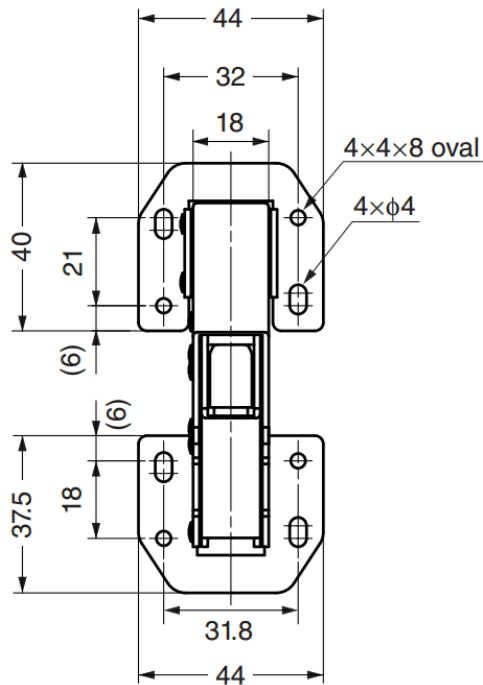
G2000-MIGNON Concealed Hinge

Features

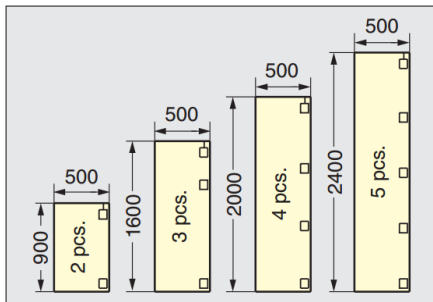
- Surface mounted, no need for cut-out on flaps
- Can be used for both inset and overlay doors
- With catch
- Overlay: Max. 20 mm
- Applicable overlay: 0 ~ 20 mm

Material

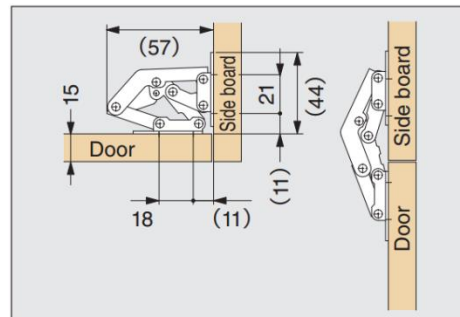
- Steel, nickel finish



Recommended No. of Hinges



Application Example (t = 15 mm / inset doors)



Part No.	Door Thickness	Opening Angle
G2000-MIGNON	Max. 20	90°